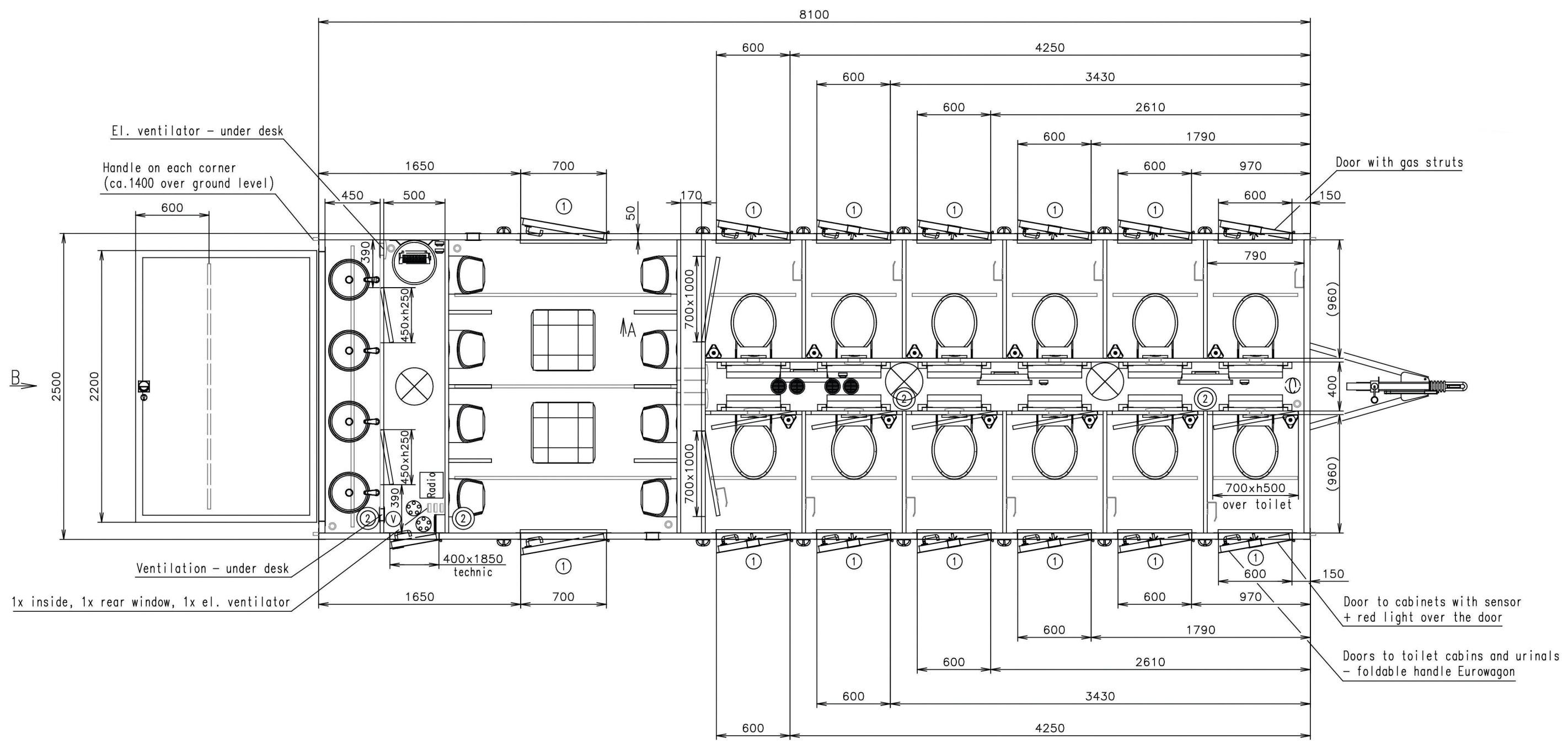


Connection hoses and cables	
Water hose:	✓
Waste water hose:	✗
Electric cable:	✓ 2x



- Working desks in waterproof compact desk Egger (dark color)
- Divider walls between urinals – decor 0599 SG Orca
- External doors – without cylinders
- Spare wheel – free loaded

Notes: Waste water from sinks and urinals under floor to the connection point

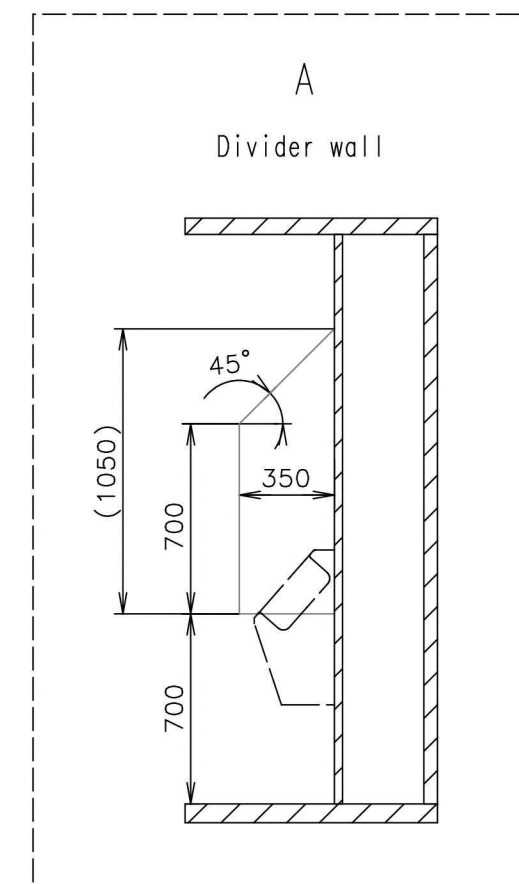
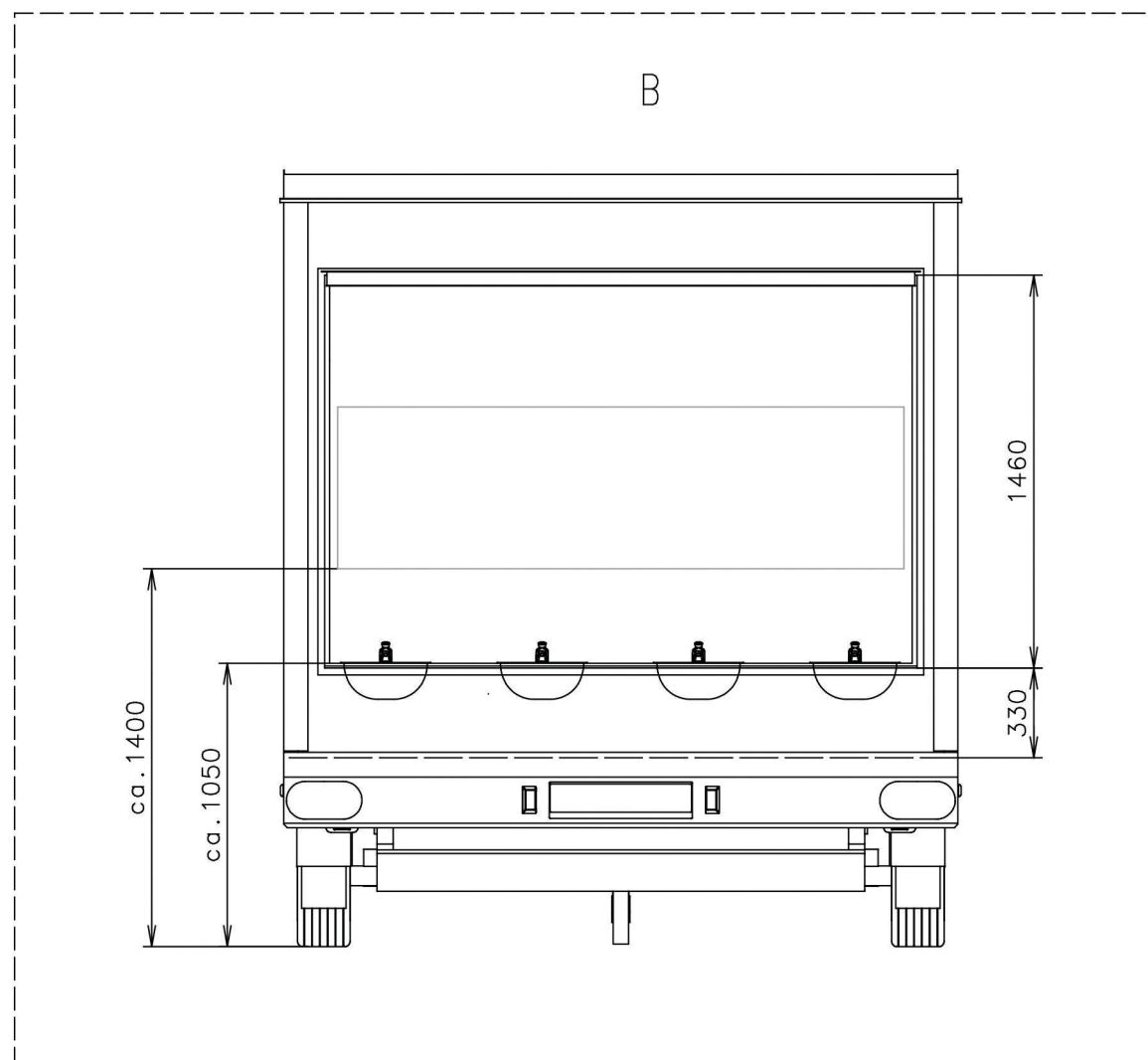
Interior height:	2100 mm	Total weight:	3500 kg
Color:	RAL 7042 (gray)	Tare weight-estimate:	3200 kg
Floor:	PVC Jupiter 148708	Centre of wheels from rear side:	4210 mm
Date:	9.1.2018	Wheels:	195/50 R13C



Drawing number:
3181-81-1_1/3 (Sprenger)

(Cabling and piping is not shown on the 3D views and drawings)

Connection hoses and cables	
Water hose:	✓
Waste water hose:	✗
Electric cable:	✓ 2x



Working desks in waterproof compact desk Egger (dark color)

Divider walls between urinals – decor 0599 SG Orca

External doors – without cylinders

Spare wheel – free loaded

Notes: Waste water from sinks and urinals under floor to the connection point

Interior height:	2100 mm	Total weight:	3500 kg
Color:	RAL 7042 (gray)	Tare weight-estimate:	3200 kg
Floor:	PVC Jupiter 148708	Centre of wheels from rear side:	4210 mm
Date:	9.1.2018	Wheels:	195/50 R13C

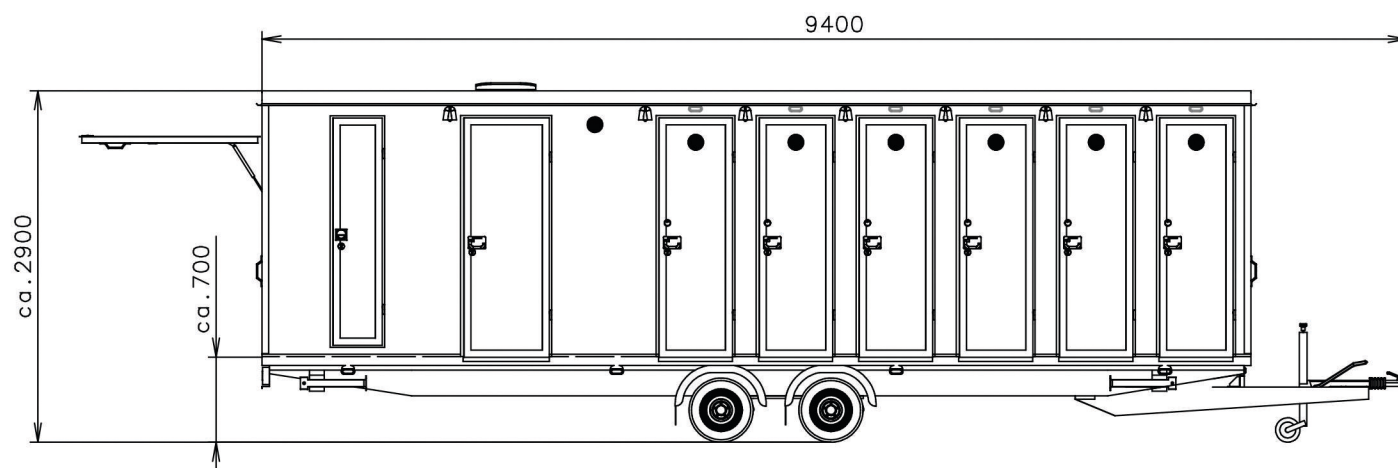
(Cabling and piping is not shown on the 3D views and drawings)

 **Sani Mobil**

Drawing number:
3181-81-1_2/3 (Sprenger)

Connection hoses and cables	
Water hose:	✓
Waste water hose:	✗
Electric cable:	✓ 2x

- Ⓥ Water connection 3/4" (on the chassis) + filter + reduction valve
- Ⓢ 2x Electric connection (through the floor) (230V-16A) (1x heatings and el. ventilators) (1x the rest)
- Ⓣ Effluent connection ø110 (through floor)
- Ⓜ Power point
- Ⓛ Light switch
- Ⓜ Switch board (1200 over floor)
- ⊗ Sensorlight
- Light LED stripe
- Ⓜ Electric ventilator 230V (with our switch)
- Ⓢ External sensor light
- Ⓜ Heating (500W)
- Ⓜ Heating (750W)
- Ⓢ Floor drain hole
- Ⓢ Sink ø335 (stainless steel) + standard water tap
- Ⓢ Hanging toilet (toilet seat – steel holders)
- Ⓜ Urinal – Vitra Siko (water flush)
- Ⓢ Hot water boiler Slim (30 l)
- Ⓜ Roof window Dometic (400x400)
- Ⓜ Ventilation ø120
- Ⓢ Brush toilet
- Ⓜ Special toilet paper holder
- Ⓢ Clothes hanger
- Mirror (2100 x 600) + black frame around
- ① Foldable stairs Serena
- ② Speaker – in the roof



Working desks in waterproof compact desk Egger (dark color)

Divider walls between urinals – decor 0599 SG Orca

External doors – without cylinders Spare wheel – free loaded

Notes: Waste water from sinks and urinals under floor to the connection point

Interior height:	2100 mm	Total weight:	3500 kg
Color:	RAL 7042 (gray)	Tare weight-estimate:	3200 kg
Floor:	PVC Jupiter 148708	Centre of wheels from rear side:	4210 mm
Date:	9.1.2018	Wheels:	195/50 R13C

 **Sani Mobil**

Drawing number:
3181-81-1_3/3 (Sprenger)

(Cabling and piping is not shown on the 3D views and drawings)